

PRODUCT DATASHEET - INTELLIGENT INPUT AND OUTPUT MODULE (MINI MOUNT)



INTELLI-SENSE

Addressable Device

TI-002298

DESCRIPTION

The Intelli-Sense module range provides an ideal solution to the monitoring and control requirements of most fire detection and alarm systems, ranging from small and simple, to large and complex. By utilising the fully digital communication protocol, reliable and fast operation is achieved even when employing the impressive 240 device loop capacity. A choice of mechanical configurations provides easy integration of the units into a variety of field locations. The TI-002298 is contained in a compact housing, which can be easily mounted inside third party equipment and provides the capability to remotely monitor a single circuit and control a single ancillary circuit using external power. Both input and output circuits are monitored for fault conditions. Bi-colour LEDs provide local indication of device status.

TECHNICAL SPECIFICATION

Loop voltage range	15Vdc – 40Vdc*
Normal Standby Current	250µA @ 24Vdc
Alarm Current (1red LED)	6-12mA @ 24Vdc
Dimensions	75 x 52 x 18mm (ex-fixings)
Relay Ratings	2A @ 30Vdc
Temperature Range (no icing)	-10°C to +55°C
Max humidity (non condensing)	95% RH
Weight	160g

*Note: Min 18VDC for operation of LED.

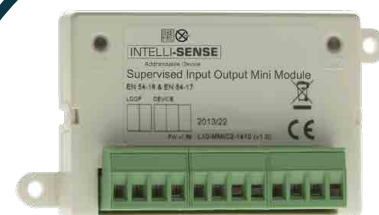
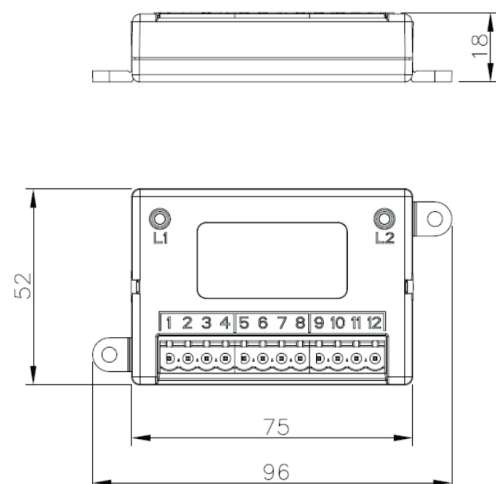
STANDARDS & APPROVALS

BS EN54-17:	Short Circuit Isolators
BS EN54-18:	Input/Output Devices

KEY FEATURES

- Employs the highly reliable fully digital communication protocol
- 3rd party approval to EN54-17 and EN54-18
- Integrated short circuit isolators to protect and maintain operation
- Loop powered with very low current consumption
- Robust proven design offering operation over a wide temperature range
- Provides both a fully monitored input and output circuit
- Fast fit plug-in cable connections
- Alternate mechanical variants available to satisfy different applications
- Smaller mechanical package size enables the module to be installed inside other enclosures
- Bi-colour status LED
- 1 year product warranty

TECHNICAL INFORMATION



Call: **1800 120 3473 / +91 9540 666 666**
/ **+91 120 4223473**

Visit our website: ceasefire.in

Email: response@ceasefire.in

Ceasefire Industries Pvt. Ltd.

Plot No. 4, Second Floor, Sector-135,
Noida - Greater Noida Expressway,
Noida - 201 301, Uttar Pradesh [India]