

PRODUCT DATASHEET - TOUCHCONTROL



INTELLI-SENSE

Addressable Control Panel

TI-002327

DESCRIPTION

TouchControl is a 10", high-resolution touch screen Remote Control Terminal with active maps and zone plans.

It is a fire panel and network node in its own right and works on Intelli-Sense standard and fault tolerant networks. It is compatible with our Intelli-Sense fire panels.

Zone information is presented via both the unit's colour coded, easy-to-navigate interface and the active maps that are easily configured using the PC configuration software for maps. Using TouchControl's colour-coded, easy-to-navigate interface users can:

- Evacuate/Mute/Silence/Resound & Reset
- View fires/ faults/ disablements/ alarms/ inputs/ outputs/ supervisory and network via 'instant filters'
- View/enable/disable zones View/enable/disable devices Enable/disable outputs by type
- Enable WalkTest mode Test display/zones/outputs/buzzer and LEDs
- Quickly access all zones in fire/fault/disablement/test via 'instant filters' and where allowed change status
- View 1,000 general and 500 Fire event log Set network time and date

Users can choose from five pre-set background images or upload their own. The relevant zone plan to the unit's position can be displayed and users can run presentations on the display, which defaults to normal operation in the event of a fire condition or if the screen is touched. TouchControl enhances public areas and provides new levels of control and oversight.

KEY FEATURES

- 2 Part enclosure for easy first fix and slide-in installation.
- 1280x800 (720p); high resolution screen, designed to work with fireman's glove
- 'At a glance' system status, immediately identify zones and devices in Fire, Test, Supervisory and Fault
- Interactive site maps and zone plans capability built-in Monitored external input for external PSU faults
- Two-core connection to the network (fault tolerant or standard) Low-profile bezel for flush fitting
- Select from a number of background images or add a customised image
- Low profile installation
- Dedicated status indicators for Fire, Fault, System Fault, Disabled, Test and Power
- Zone plan display, an essential part of BS5839-1
- Dual Power Supply inputs, independently monitored to allow redundant power feeds

TECHNICAL SPECIFICATION

Environment	Indoor, Dry
Supply Voltage	18-30VDC
Supply Current	300mA
FUSE-PCB	T250H1.6A
PSE -Fault Monitoring	EOL 3300K, ACT680K
Operating Temperature	-5 o C to +40 oC
Relative Humidity	95%
Wire Gauge (max.)	2.5mm 2



Call: **1800 120 3473 / +91 9540 666 666**
/ +91 120 4223473

Visit our website: ceasefire.in

Email: response@ceasefire.in

Ceasefire Industries Pvt. Ltd.

Plot No. 4, Second Floor, Sector-135,
Noida - Greater Noida Expressway,
Noida - 201 301, Uttar Pradesh (India)

PRODUCT DATASHEET - TOUCHCONTROL



INTELLI-SENSE

Addressable Control Panel

Dimensions (mm)	H 191 x W 282xD80
Knockouts (20mm)	5 Top, 5Rear
Models	TI-002327/TI-002328

ORDER CODES AND OPTIONS

TI-002334	TouchControl - Standard Network Version
TI-002335	TouchControl - Fault Tolerant Network Version

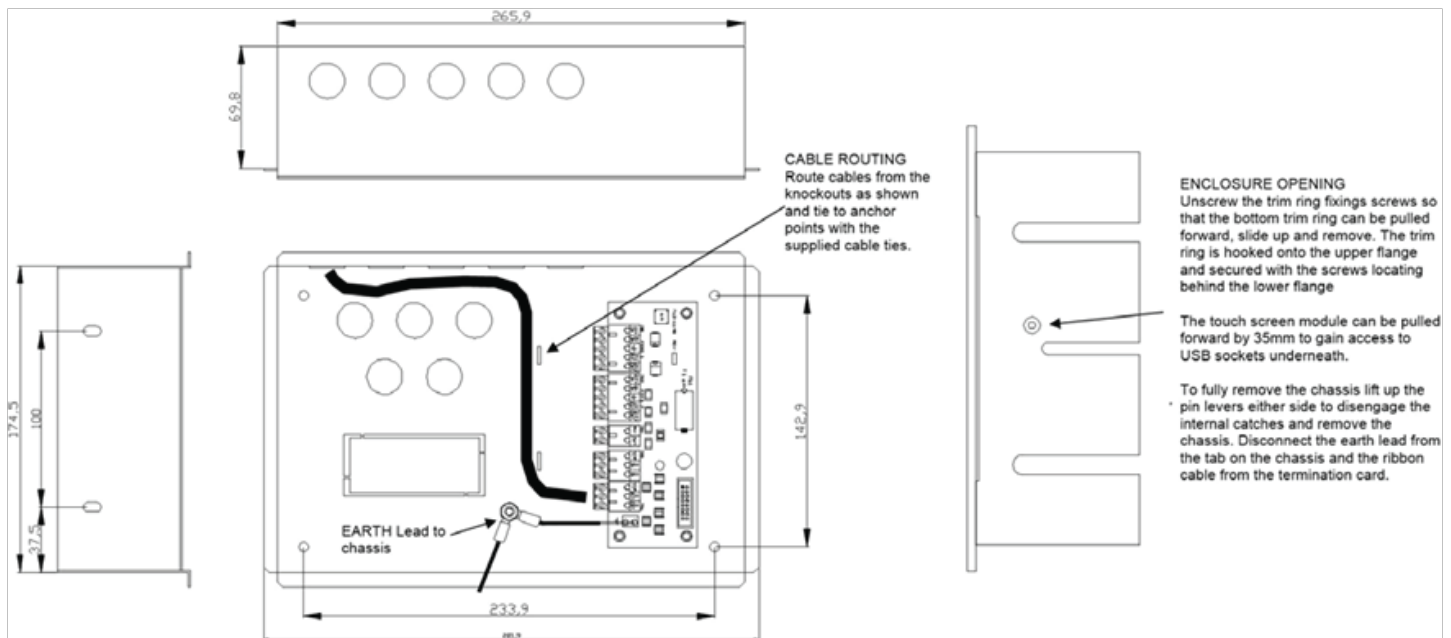
MORE INFORMATION

Enclosure Mounting

This unit is designed to be flush mounted into stud walling. Cut out the aperture in the wall to 3mm larger than the size of the back box. Nominal 272x180, (Min 270x178, Max 274x182)

Enclosure Fixing Points

- 4x fixing holes in rear of enclosure or 4x fixing slots in side walls
- Side wall slots allow adjustment for uneven walls.



Call: 1800 120 3473 / +91 9540 666 666
/ +91 120 4223473

Visit our website: ceasefire.in

Email: response@ceasefire.in

Ceasefire Industries Pvt. Ltd.

Plot No. 4, Second Floor, Sector-135,
Noida - Greater Noida Expressway,
Noida - 201 301, Uttar Pradesh (India)

PRODUCT DATASHEET - TOUCHCONTROL



INTELLI-SENSE

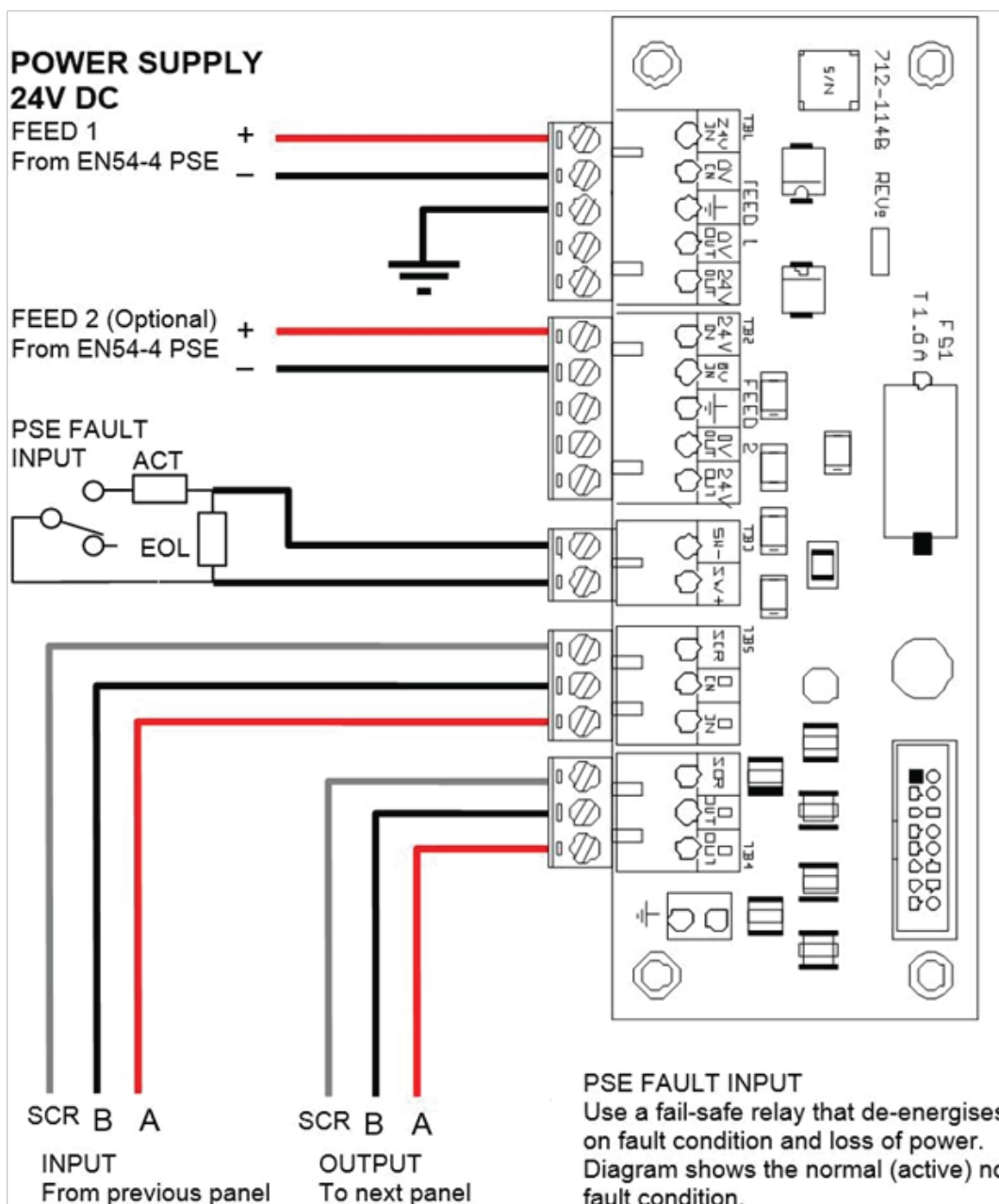
Addressable Control Panel

Enclosure Opening

Unscrew the trim ring fixings screws so that the bottom trim ring can be pulled forward, slide up and remove. The trim ring is hooked onto the upper flange and secured with the screws locating behind the lower flange

The touch screen module can be pulled forward by 35mm to gain access to USB sockets underneath.

To fully remove the chassis lift up the pin levers either side to disengage the internal catches and remove the chassis. Disconnect the earth lead from the tab on the chassis and the ribbon cable from the termination card.



TI-002327/TI-002328
TDS_VERSION (01)

Call: 1800 120 3473 / +91 9540 666 666
/ +91 120 4223473

Visit our website: ceasefire.in

Email: response@ceasefire.in

Ceasefire Industries Pvt. Ltd.

Plot No. 4, Second Floor, Sector-135,
Noida - Greater Noida Expressway,
Noida - 201 301, Uttar Pradesh [India]