

# PRODUCT DATASHEET - WIRELESS SOUNDER BASE



## WAVE-SENSE

Wireless Device

TI-002258

### DESCRIPTION

The TI-002258 Wireless Sounder Base unit is an aesthetically pleasing and cost effective alternative to traditional wall mounted sounder units where visual impact is important. Each unit has an integral moulded base for mounting an Wave-Sense wireless detector or a sounder cover if a detector is not required. The unit has as standard 32 recognised sounder tones and 3 levels of volume adjustment, all of which can be easily configured on site. Powered by standard lithium batteries and utilising well proven adaptive radio signal processing algorithms ensure the highest levels of life safety and reliability.

### TECHNICAL SPECIFICATION

Operating frequency range	865 MHz
Operating frequency channels	7
Communication range with the translator or the expander	≤ 150 m (in open space)
IP rating	20 (Type A for indoor use only)
Sound Output (typical)	70-95dBA (tone dependant)
Number of Tones	32
Dimensions	116 mm x 51 mm
Weight (without batteries)	150g
Primary battery	CR123A (3 V & 1.2 Ah)
Secondary battery	CR123A (3 V & 1.2 Ah)
Primary battery lifespan (typical)	≥ 3 years
Secondary battery lifespan (typical)	≥ 2 months
Operating Temperature	-10°C to +55°C
Max humidity (non condensing)	95% RH

### STANDARDS & APPROVALS

BS EN 54-25: Components using radio links & system requirements

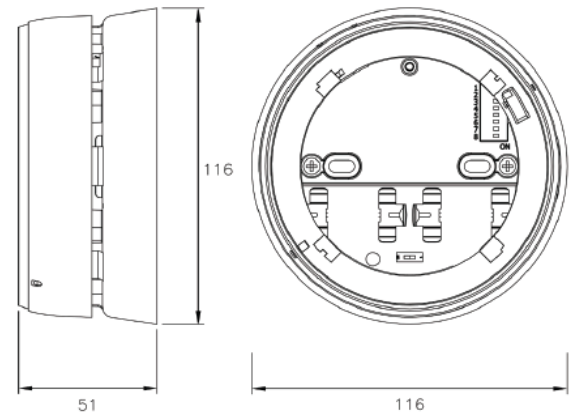
BS EN 54-3: Fire alarm devices

\*\*Performance may vary at extremes of range

### KEY FEATURES

- Designed and tested as per EN 54-03, EN 54-25, certified by IMQ
- Bi-directional wireless communication
- 1 Year product warranty
- Utilises dual low cost standard lithium batteries
- Choice of 32 recognised tones
- Compatible with all Wave-Sense translators and expanders
- Integral detector base
- Red and white cover options
- 3 volume levels
- 3 year expected battery life

### TECHNICAL INFORMATION



Call: **1800 120 3473 / +91 9540 666 666**  
**+91 120 4223473**

Visit our website: [ceasefire.in](http://ceasefire.in)

Email: [response@ceasefire.in](mailto:response@ceasefire.in)

**Ceasefire Industries Pvt. Ltd.**

Plot No. 4, Second Floor, Sector-135,  
Noida - Greater Noida Expressway,  
Noida - 201 301, Uttar Pradesh [India]