

# PRODUCT DATASHEET - CONVENTIONAL WALL SOUNDER BEACON (RED)



## PRO-SENSE

Conventional Device

TI-002273

### DESCRIPTION

The TI-002273 Conventional Wall Sounder BEACON forms the core of our EN54-23 modular visual alarm device (VAD) range. The unit can either be used as a standalone conventional device or as an intelligent unit by the addition of a Wired Intelligent Sounder Interface Module (TI-002260) or wireless Intelligent Sounder Interface Module (TI-002256/TI-002256A). All devices are weather proof therefore this combined with the modular approach means the majority of applications can be achieved with very few stock components. The unit is equipped with 3 levels of volume adjustment, high output LED beacon and 32 recognised tones which can be set via the control equipment or locally at the sounder.

Note: Also available in white.

### KEY FEATURES

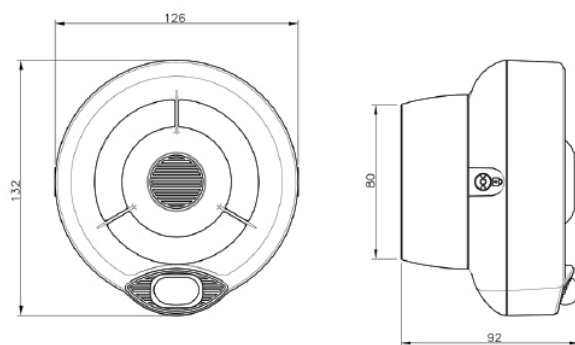
- Flexible modular design
- 1 year product warranty
- Designed and tested as per EN54-3 & EN54-23, Certified by LPCB
- 32 Tone Settings
- Two stage alarm capability
- Weatherproof as standard
- Easy to install
- Silent sounders setting for beacon only use
- Microphone self test facility
- Robust & high reliability

### TECHNICAL SPECIFICATION

- |                                      |                        |
|--------------------------------------|------------------------|
| ▪ Power supply voltage range         | 15Vdc – 40Vdc          |
| ▪ Activated current load (High Vol.) | 11-25 mA at 24 Vdc     |
| ▪ Acoustic Frequency range           | 400-2900 Hz            |
| ▪ Maximum acoustic Output            | 100 dB(A) @ 1m         |
| ▪ Visual Alarm Device Frequency      | 0.5 Hz or 1 Hz         |
| ▪ EN54-23 Classification             | W-2.5-7                |
| ▪ Temperature range (no icing)       | -25°C to +70°C         |
| ▪ Unit weight (inc Back box)         | 290g                   |
| ▪ Max humidity (non condensing)      | 95% RH                 |
| ▪ Ingress Protection                 | Designed to meet IP 65 |

Note: Functionality is dependant on the control equipment and module selection.

### TECHNICAL INFORMATION



### STANDARDS & APPROVALS

- BS EN 54-3 (Type B): Fire Alarm Device, Sounders
- BS EN 54-23: Fire Alarm Devices, Visual Alarm Devices



Call: **1800 120 3473 / +91 9540 666 666**  
**+91 120 4223473**

Visit our website: [ceasefire.in](http://ceasefire.in)

Email: [response@ceasefire.in](mailto:response@ceasefire.in)

**Ceasefire Industries Pvt. Ltd.**

Plot No. 4, Second Floor, Sector-135,  
Noida - Greater Noida Expressway,  
Noida - 201 301, Uttar Pradesh [India]

# PRODUCT DATASHEET - CONVENTIONAL WALL SOUNDER BEACON (RED)



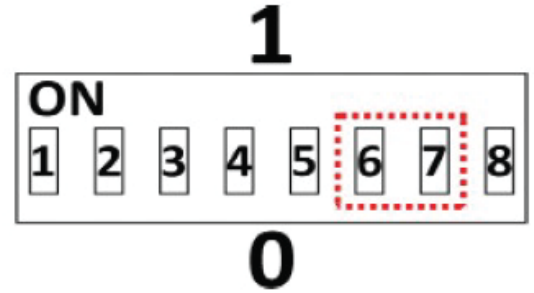
## PRO-SENSE

Conventional Device

### OUTPUT VOLUME SETTING

Use the DIP switch at the back of the sounder body for setting the output volume; in particular, switches 6 and 7 are used. The switches positioned upwards acquire value "1" or when positioned downwards acquire value "0".

Refer to table below and set the position of both switches 6 and 7 according to the required volume when the sounder is active.



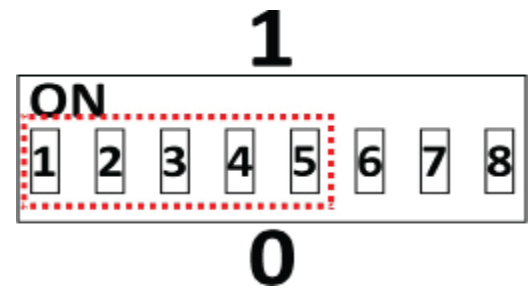
Tone volume	Switch 6	Switch 7	dB(A) evaluation	Notes
HIGH	1	1	100 dB(A) +0/-3	All tones
MEDIUM HIGH	0	1		All tones
MEDIUM LOW	1	0		All tones
LOW	0	0		

### OUTPUT TONE SETTING

Use the DIP switch at the back of the sounder body for setting the output tone; in particular, switches 1 to 5 are used. The switches positioned upwards acquire value "1" or when positioned downwards acquire value "0".

Using the DIP switches it is possible to select a tone between 1 and 32. Utilises the Standard or Alternative wiring connections determines whether this tone is selected from the Standard or Alternative tone tables (Page 4 and 5), when the sounder is activated.

When using the Intelligent interface module the Standard and alternative tones may be selected via the loop protocol and control panel settings.\*



\*Note: Not all functionality may be available on all control equipment.  
Contact technical support for specific advice.

# PRODUCT DATASHEET - CONVENTIONAL WALL SOUNDER BEACON (RED)



## PRO-SENSE

Conventional Device

### STANDARD TONE TABLE

No:	Tone Description	Tone Description	1	2	3	4	5
1	Warble Tone	800Hz for 500ms, then 1000Hz for 500ms	1	1	1	0	1
2	Continous Tone	970Hz continuous tone	0	1	0	1	1
3	Slow Whoop (Dutch)	500-1200Hz for 3500ms, then off for 500ms	1	0	1	0	1
4	German DIN Tone	1200Hz-500Hz sweep every 1000ms (1Hz)	0	0	1	1	1
5	Alternative HF slow sweep	2350Hz-2900Hz sweep every 333ms (3Hz)	1	0	0	1	0
6	Alternative Warble	800Hz for 250ms, then 960Hz for 250ms	1	1	1	1	0
7	Alternative Warble	500Hz for 250ms, then 600Hz for 250ms	1	1	1	1	0
8	Analogue Sweep Tone	500Hz-600Hz sweep every 500ms (2Hz)	1	0	1	0	0
9	Australian Alert (intermittent)	970Hz for 625ms, then off for 625ms	1	0	0	0	1
10	Australian Evac (slow whoop)	500-1200Hz sweep for 3750ms, then OFF for 250ms	1	0	1	1	0
11	FP1063.1- Telecom	800Hz for 250ms, then 970Hz for 250ms	0	0	0	0	1
12	French Tone (Afnor)	554Hz for 100ms then 440Hz for 400ms	0	0	0	0	1
13	HF Back Up interrupted Tone	2800Hz for 1sec then off for 1 second	1	1	0	1	1
14	HF Back Up interrupted Tone (fast)	2800Hz for 150ms, then off for 150ms	1	1	0	0	1
15	HF Continous	2800Hz continuous	0	1	0	0	1
16	Interrupted Tone	800Hz for 500ms, then off for 500ms	0	1	1	1	1
17	Interrupted Tone medium	1000Hz for 250ms, then off for 250ms	0	1	1	0	1
18	ISO 8201 LF BS5839 Pt1 1988	970Hz for 500ms, then OFF for 500ms	0	1	1	1	0
19	ISO 8201 HF	2800Hz for 500ms, then OFF for 500ms	0	1	1	0	0
20	LF Backup Alarm	800Hz for 150ms, then OFF for 150ms	1	1	0	1	0
21	LF Buzz	800Hz-950Hz sweep every 9ms	0	1	0	1	0
22	LF Continous Tone BS5839	800Hz continuous	1	1	0	0	0
23	Silent	No Sound	1	1	1	1	1
24	Siren 2 way ramp (long)	500-1200Hz rising for 3000ms, then falling for 3000ms	0	0	0	0	0
25	Siren 2 way ramp (short)	500-1200Hz rising for 250ms, then falling for 250ms	0	0	0	1	0
26	Swedish All Clear	660Hz continuous	0	0	1	0	0
27	Swedish Fire Signal	660Hz for 150ms, then OFF for 150ms	0	0	1	1	0
28	Sweep Tone (1Hz)	800-900Hz sweep every 1000ms	1	0	1	1	1
29	Sweep Tone (3Hz)	800-970Hz sweep every 333ms	1	0	0	1	1
30	Sweep Tone (9Hz)	800-970Hz sweep every 111ms	0	1	0	0	0
31	US Temporal Pattern HF	(2900Hz for 500ms, then 500ms off) x3 then 1500ms off	0	0	0	1	1
32	LF Sweep (Cranford Tone)	800Hz -1000Hzsweep every 500ms (2Hz)	1	0	0	0	0

# PRODUCT DATASHEET - CONVENTIONAL WALL SOUNDER BEACON (RED)



## PRO-SENSE

Conventional Device

### ALTERNATE TONE TABLE

No:	Tone Description	Tone Description	1	2	3	4	5
1	Continous Tone	800Hz continuous	1	1	1	0	1
2	Continous Tone	1000Hz continuous tone	0	1	0	1	1
3	Slow Whoop (Dutch)	500-1200Hz for 3500ms, then off for 500ms	1	0	1	0	1
4	Continous Tone	800Hz continuous	0	0	1	1	1
5	Continous Tone	2400Hz continuous	1	0	0	1	0
6	Continous Tone	800Hz continuous	1	1	1	1	0
7	Continous Tone	500Hz continuous	1	1	1	1	0
8	Continous Tone	500Hz continuous	1	0	1	0	0
9	Continous Tone	2400Hz continuous	1	0	0	0	1
10	Australian Evac (slow whoop)	500-1200Hz sweep for 3750ms, then OFF for 250ms	1	0	1	1	0
11	Siren 2 way ramp (short)	500-1200Hz rising for 250ms, then falling for 250ms	0	0	0	0	1
12	Continous Tone	800Hz continuous	0	0	0	0	1
13	Continous Tone	2800Hz continuous	1	1	0	1	1
14	Continous Tone	800Hz continuous	1	1	0	0	1
15	Continous Tone	2800Hz continuous	0	1	0	0	1
16	Continous Tone	800Hz continuous	0	1	1	1	1
17	Continous Tone	800Hz continuous	0	1	1	0	1
18	ISO 8201 LF BS5839 Pt1 1988	970Hz for 500ms, then OFF for 500ms	0	1	1	1	0
19	ISO 8201 HF	2850Hz for 500ms, then OFF for 500ms	0	1	1	0	0
20	Continous Tone	800Hz continuous	1	1	0	1	0
21	Continous Tone	800Hz continuous	0	1	0	1	0
22	Continous Tone	800Hz continuous	1	1	0	0	0
23	Continous Tone	800Hz continuous	1	1	1	1	1
24	Continous Tone	800Hz continuous	0	0	0	0	0
25	Continous Tone	800Hz continuous	0	0	0	1	0
26	Continous Tone	660Hz continuous	0	0	1	0	0
27	Swedish Fire Signal	660Hz for 150ms, then OFF for 150ms	0	0	1	1	0
28	Continous Tone	800Hz continuous	1	0	1	1	1
29	Continous Tone	800Hz continuous	1	0	0	1	1
30	Continous Tone	800Hz continuous	0	1	0	0	0
31	Continous Tone	2900Hz continuous	0	0	0	1	1
32	Continous Tone	800Hz continuous	1	0	0	0	0

Call: **1800 120 3473 / +91 9540 666 666**  
**+91 120 4223473**

Visit our website: [ceasefire.in](http://ceasefire.in)

Email: [response@ceasefire.in](mailto:response@ceasefire.in)

**Ceasefire Industries Pvt. Ltd.**

Plot No. 4, Second Floor, Sector-135,  
 Noida - Greater Noida Expressway,  
 Noida - 201 301, Uttar Pradesh (India)