

# PRODUCT DATASHEET - WIRELESS CLASS P HEAT DETECTOR



## WAVE-SENSE

Wireless Device

TI-002279

### DESCRIPTION

The TI-002279 is the latest in wireless heat detector technology. It is a fully intelligent device and compatible with all Wave-Sense wireless Translator and Expander modules. The detector is designed for open area protection giving the best possible warning of a fire condition in locations where smoke detection technology is not suitable. The well-proven adaptive radio signal processing algorithms ensure the highest levels of life safety and system reliability are achieved. An in-built magnet test allows easy activation to verify correct functionality and response.

\*For BASE COMPATIBILITY see page 3

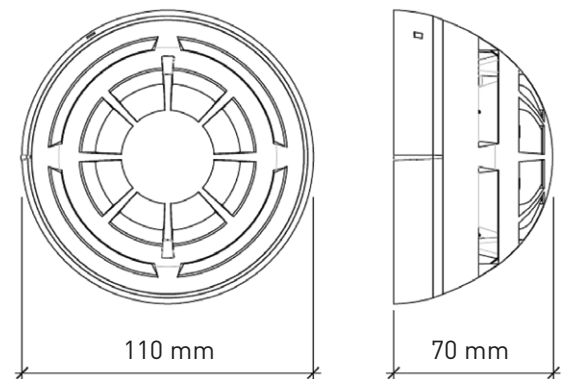
### KEY FEATURES

- Twin alarm LEDs for 360 deg visibility
- Internal algorithm processing optimises performance
- Designed and tested as per EN 54-5 & EN 54-25, certified by IMQ
- 5 Year battery life (in ideal operating condition)
- Utilises standard low cost lithium battery technology
- Bi-directional wireless communications
- Compatible with all Wave-Sense translators and Expanders
- Multiple sensitivity settings
- 1 year product warranty
- Device identification tab

### TECHNICAL SPECIFICATION

Operating frequency range	865 MHz
Max. radiated power	14dBm (25mW)
Operating channels	Multiple
Class A1R	(58°C max) or
Class BS high temp	(78°C)
Dimensions	110mm x 70mm
Batteries	2 x CR123A
Weight	190 g
Temperature Range (no icing)	-10°C to +55°C **
Max tolerated humidity (non condensing)	95% RH
IP Rating	40

### TECHNICAL INFORMATION



### STANDARDS & APPROVALS

BS EN 54-5 Class P:	Heat Detectors.Point Detectors
BS EN54-25:	Components using radio links

\*\*Performance may vary at extremes of range

Call: **1800 120 3473 / +91 9540 666 666**  
**/ +91 120 4223473**

Visit our website: [ceasefire.in](http://ceasefire.in)

Email: [response@ceasefire.in](mailto:response@ceasefire.in)

**Ceasefire Industries Pvt. Ltd.**

Plot No. 4, Second Floor, Sector-135,  
Noida - Greater Noida Expressway,  
Noida - 201 301, Uttar Pradesh [India]



# PRODUCT DATASHEET - WIRELESS CLASS P HEAT DETECTOR



## WAVE-SENSE

Wireless Device

### LED INDICATION

The device is equipped with 2 tri-colour LEDs (red/green/amber) that provide visual indication for functional conditions and battery levels as indicated in the sections below:

Power Up	-	1 Second On then	4 x 0.5 Seconds On
Linking to System	-	Blinking until link is complete	-
Link Procedure has Failed	-	-	Continuous
Normal condition	-	-	-
Alarm condition	-	-	0.5 Second On & 0.5 Second Off
Main battery fault	0.1 Second On & 5 Seconds Off	-	-
Secondary battery fault	-	0.1 Second On & 5 Seconds Off	-
Both batteries fault	0.1 Second On & 5 Seconds Off	0.1 Second On & 5 Seconds Off	-
Other fault	Sequential bi-colour flashing		-
Tamper	-	-	-
Loss of radio link with Translator / Expander	-	-	-

Call: **1800 120 3473 / +91 9540 666 666**  
**+91 120 4223473**

Visit our website: [ceasefire.in](http://ceasefire.in)

Email: [response@ceasefire.in](mailto:response@ceasefire.in)

**Ceasefire Industries Pvt. Ltd.**

Plot No. 4, Second Floor, Sector-135,  
Noida - Greater Noida Expressway,  
Noida - 201 301, Uttar Pradesh [India]

# PRODUCT DATASHEET - WIRELESS CLASS P HEAT DETECTOR



## WAVE-SENSE

Wireless Device

### COMMUNICATION QUALITY ASSESSMENT

It is possible to assess the wireless communication quality between the device and translator or expander using the built in test facility. After successful programming of the device, changing the "Program" switch to the "ON" position will set the device into test mode and the LED will start blinking according to the table below:

Communication Quality (dB)	Level	Green LED	Red LED
No connection	Fail	-	Two flashes
Link margin is less than 10 dB	Poor - not acceptable	-	One flash
Communication with link margin from 10 dB to 20 dB	Medium/Low - not recommended	One flash	-
Communication with link margin from 20 dB to 30 dB	Good	Two flashes	-
Robust communication with link margin over 30 dB	Excellent	Two flashes	-

Note: The "program" switch must be returned to the 1 position for normal device operation

### BASE COMPATIBILITY

This device is supplied with a standard base and is compatible with the following Wave-Sense base sounders:

- TI-002258: Wireless Sounder Base
- TI-002259: Wireless Sounder Base Visual Indicator



Call: **1800 120 3473 / +91 9540 666 666**  
**+91 120 4223473**

Visit our website: [ceasefire.in](http://ceasefire.in)

Email: [response@ceasefire.in](mailto:response@ceasefire.in)

**Ceasefire Industries Pvt. Ltd.**  
Plot No. 4, Second Floor, Sector-135,  
Noida - Greater Noida Expressway,  
Noida - 201 301, Uttar Pradesh [India]