

PRODUCT DATASHEET - CONVENTIONAL CLASS B HEAT DETECTOR



PRO-SENSE

Conventional Device

TI-002267

DESCRIPTION

The TI-002267 is a cost effective and aesthetically pleasing conventional fixed temperature heat detector. These detectors are designed to continuously samples the air for temperature variation in the protected area to provide the earliest warning of fire in locations which are not suitable for smoke detection technologies. A centrally positioned LED indicator provides 360° visibility of detector activation and an in-built magnet test feature allows easy activation to verify operation of the detectors. A selection of connection bases make the unit compatible with most conventional control equipment.

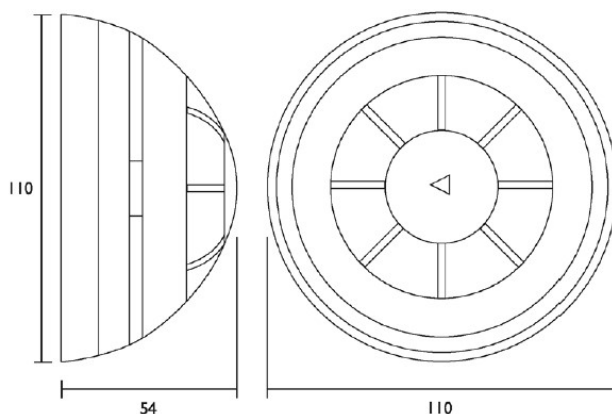
KEY FEATURES

- Designed and tested as per EN54-5, Certified by LPCB
- Colour options available
- 1 year product warranty
- Central LED for 360° visibility
- Low profile design
- Programmable flashing LED function

TECHNICAL SPECIFICATION

▪ Power supply	10-30 Vdc
▪ Average standby current	90 μ A @ 24 Vdc
▪ Max alarm current	40 mA
▪ Max remote output current	18 mA
▪ Dimensions	110mm x 54mm
▪ Weight (with base)	190g
▪ Operating Temperature (no icing)	-10°C to +55°C
▪ Max Humidity (non condensing)	95% RH
▪ Heat alarm threshold (class A1R)	58°C
▪ High temp. mode alarm threshold (class B)	78°C
▪ IP rating	40

TECHNICAL INFORMATION



STANDARDS & APPROVALS

- BS EN 54-5: Heat Detectors - Point Detectors

Note: Certified device performance may vary depending on the approval body.



Call: **1800 120 3473 / +91 9540 666 666**
/ +91 120 4223473

Visit our website: ceasefire.in

Email: response@ceasefire.in

Ceasefire Industries Pvt. Ltd.
Plot No. 4, Second Floor, Sector-135,
Noida - Greater Noida Expressway,
Noida - 201 301, Uttar Pradesh [India]