

# PRODUCT DATASHEET - INTELLIGENT OPTICAL SMOKE DETECTOR



## INTELLI-SENSE

Addressable Device

TI-002211

### DESCRIPTION

The TI-002211 analogue Optical Smoke Detector is a point detection device that continuously monitors the air in the protected area to provide the earliest warning of a fire condition. The advanced design of the smoke inlet and optical chamber guarantees a very high resistance to the entry of dust, ensuring a higher level of false alarm rejection without compromising sensing performance. This detector forms part of the Intelli-Sense range of aesthetically pleasing low profile detection and alarm products and is fully compatible\* with Intelli-Sense Fire Alarm Control Panels utilising the fully digital communication protocol.

\*For BASE COMPATIBILITY see page 2

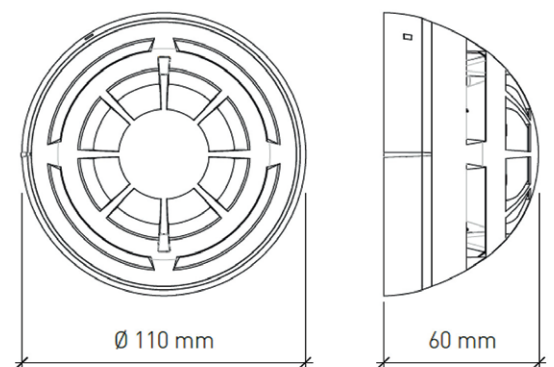
### KEY FEATURES

- Multiple fully approved sensitivity settings
- Auto addressing capability on compatible fire control panels
- Bi-directional isolator to protect against cable faults
- Utilises fully digital protocol with high noise rejection
- Dual bi-colour LEDs providing 360deg cone of visibility
- Dust Restrict Chamber (DRC) technology offering advanced immunity to airborne contaminants
- Open style mounting base offers easy wiring and low pressure locking
- Programmable using the Device Programming Tool
- Self test magnet option
- 1 year product warranty

### TECHNICAL SPECIFICATION

Loop voltage	15Vdc – 40Vdc *
Average standby current	85µA @ 24Vdc
Remote Output Max Current	20mA
Dimensions (inc. base)	110mm x 60mm
Temperature Range (no icing)	-10°C to +55°C **
Max tolerated humidity (non condensing)	95% RH
Max number of loop addresses	240
Weight (standard base included)	130 g

### TECHNICAL INFORMATION



### STANDARDS & APPROVALS

BS EN 54-7: Smoke Detectors

BS EN54-17: Short Circuit Isolators

\*Minimum 18V with LED operation \*\*Performance may vary at extremes of range



Call: **1800 120 3473 / +91 9540 666 666**  
**+91 120 4223473**

Visit our website: [ceasefire.in](http://ceasefire.in)

Email: [response@ceasefire.in](mailto:response@ceasefire.in)

**Ceasefire Industries Pvt. Ltd.**

Plot No. 4, Second Floor, Sector-135,  
Noida - Greater Noida Expressway,  
Noida - 201 301, Uttar Pradesh [India]

# PRODUCT DATASHEET - INTELLIGENT OPTICAL SMOKE DETECTOR



## INTELLI-SENSE

Addressable Device

### LED INDICATORS

The detector is equipped with two tri-colour LEDs mounted to give 360 degree visibility. These indicators display device status and condition\*:

NOTE: The LED indicators are managed directly by the fire control panel and the Green (blinking) can be disabled by the installer at the fire control panel or via the hand-held programming unit.

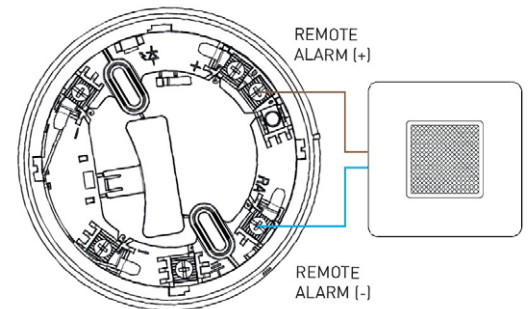
\* All functionality may not be available on all control equipment

- **Green: (blinking)** Normal operational status
- **Red:** Detector in an alarm condition
- **Amber:** Detector in a fault condition

### REMOTE OUTPUT CAPABILITY

A remote output capability is available as a standard feature on this device. This allows the connection of a Remote Indicator Module or a compatible Platform Sounder (check power requirements) to be connected to the detector base terminals and controlled from the fire alarm control panel.

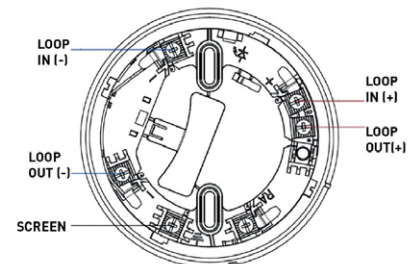
NOTE: If other equipment is connected to the remote output, its supply current must be limited by using an adequate resistor. Consult the TECHNICAL SPECIFICATIONS on page 1 and assess the external device current absorption value. Ensure correct cable polarity.



### INSTALLATION - WIRING

The detector must be mounted on a compatible detector base and all analogue loop wiring must be correctly terminated as shown:

- Connections to the detector base terminals are polarity sensitive.
- Care should be taken to ensure correct cable polarity.



### BASE COMPATIBILITY

This device is compatible with the following Intelli-Sense bases and base sounders:

- TI-002231 Intelligent Base
- TI-002232 Intelligent Addressable Base Sounder
- TI-002233 Intelligent Addressable Base Sounder VAD



TI-002211\_TDS\_ VERSION (01)

Call: **1800 120 3473 / +91 9540 666 666 / +91 120 4223473**

Visit our website: [ceasefire.in](http://ceasefire.in)

Email: [response@ceasefire.in](mailto:response@ceasefire.in)

**Ceasefire Industries Pvt. Ltd.**

Plot No. 4, Second Floor, Sector-135,  
Noida - Greater Noida Expressway,  
Noida - 201 301, Uttar Pradesh [India]