

# PRODUCT DATASHEET - INTELLIGENT (CLASS P) HEAT DETECTOR



## INTELLI-SENSE

Addressable Device

TI-002216

### DESCRIPTION

The TI-002216 Intelligent Heat Detector is a point detection device that continuously samples for temperature variation in the protected area to provide the earliest warning of a fire condition in areas where traditional smoke detection products are not suitable. This detector forms part of the Intelli-Sense range of aesthetically pleasing low profile detection and alarm products and is fully compatible\* with Intelli-Sense Fire Alarm Control Panels utilising the fully digital communication protocol.

\*For BASE COMPATIBILITY see page 2

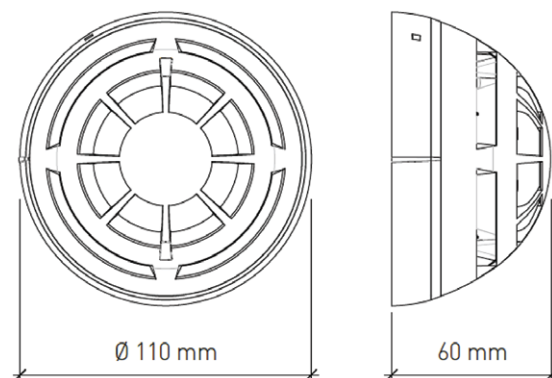
### KEY FEATURES

- Multiple fully approved sensitivity settings
- Utilises fully digital protocol with high noise rejection
- Dual alarm LEDs providing 360deg cone of visibility
- Open style mounting base offers easy wiring and low pressure locking
- Programmable using the Device Programming Tool
- 1 year product warranty

### TECHNICAL SPECIFICATION

Loop voltage	15Vdc – 40Vdc *
Average standby current	85µA @ 24Vdc
Remote Output Max Current	20mA
Dimensions (inc. base)	110mm x 60mm
Temperature Range (no icing)	-10°C to +55°C **
Max tolerated humidity (non condensing)	95% RH
Max number of loop addresses	240
Weight (standard base included)	130 g

### TECHNICAL INFORMATION



### STANDARDS & APPROVALS

BS EN54-5: Point Heat Detectors

\*Minimum 18V with LED operation \*\*Performance may vary at extremes of range



**Ceasefire Industries UK Ltd**  
3, Waterhouse Square, 138-142,  
Holborn, London, EC1N2SW,  
United Kingdom.

Call: **0-113-868-6666**  
**/ 0-126-891-9999**

Visit our website: [ceasefire.co.uk](http://ceasefire.co.uk)

Email: [response@ceasefire.co.uk](mailto:response@ceasefire.co.uk)

# PRODUCT DATASHEET - INTELLIGENT (CLASS P) HEAT DETECTOR



## INTELLI-SENSE

Addressable Device

### LED INDICATORS

The detector is equipped with two LEDs mounted to give 360 degree visibility. These indicators display device status and condition\*:

NOTE: The LED indicators are managed directly by the fire control panel and the Red (blinking) can be disabled by the installer at the fire control panel or via the hand-held programming unit.

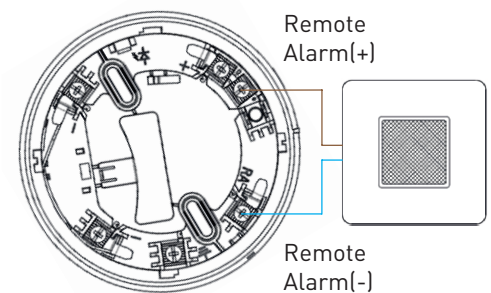
\* All functionality may not be available on all control equipment

- **Red: (blinking)** Normal operational status
- **Amber:** Detector in an alarm condition

### REMOTE OUTPUT CAPABILITY

A remote output capability is available as a standard feature on this device. This allows the connection of a Remote Indicator Module or a compatible Platform Sounder (check power requirements) to be connected to the detector base terminals and controlled from the fire alarm control panel.

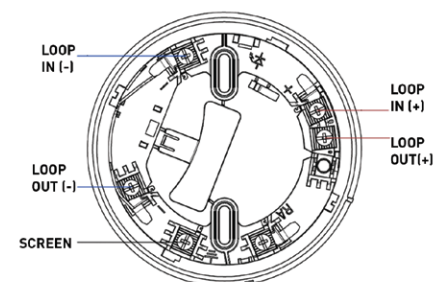
NOTE: If other equipment is connected to the remote output, its supply current must be limited by using an adequate resistor. Consult the TECHNICAL SPECIFICATIONS on page 1 and assess the external device current absorption value. Ensure correct cable polarity.



### INSTALLATION - WIRING

The detector must be mounted on a compatible detector base and all analogue loop wiring must be correctly terminated as shown:

- Connections to the detector base terminals are polarity sensitive.
- Care should be taken to ensure correct cable polarity



### BASE COMPATIBILITY

This device is compatible with the following Intelli-Sense bases and base sounders:

- TI-002231 Intelligent Base
- TI-002232 Intelligent Addressable Base Sounder
- TI-002233 Intelligent Addressable Base Sounder VID

