

PRODUCT DATASHEET - WEATHERPROOF CALL POINT HOUSING (RED)



INTELLI-SENSE

Addressable Device

TI-002227

DESCRIPTION

The CFX-Plus Weatherproof Call Point Housing is a tough protective cover that can be installed with all of the wireless or wired call points from the CFX-Plus product range.

The hinge-fronted *red polycarbonate housing upgrades any CFX-Plus call point to a weather-proof rated device, and has been designed and engineered to provide outstanding protection from environmental conditions, vandalism, accidental damage or misuse. This tough yet aesthetically pleasing cover can be used in a wide variety of applications including off-shore projects, the food and beverage industry, swimming pools and leisure centres, and underground installations. It is also suitable for retrofits and is available with an optional battery powered 90dB tamper alarm.

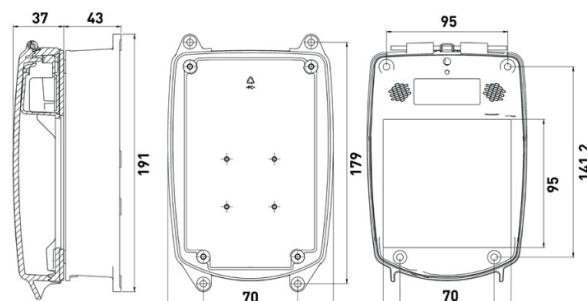
KEY FEATURES

- Easy & Fast Installation
- Aesthetically pleasing
- Optional 90dB tamper alarm
- Breakseal to increase visible deterrent from misuse
- Spacers for surface and flush installations
- Reduces Unwanted Alarms
- Provides Environmental & Mechanical Protection
- Simple Retro fit to existing Installations
- Suitable for all CFX-Plus Call Points

TECHNICAL SPECIFICATION

Dimensions	190 x 119 mm x 80 mm (other options available)
Weight	426g
Tamper Alarm level	90dB
Housing Material	Polycarbonate
Tamper Alarm Battery Life (Incorporates low battery warning LED)	3 years

TECHNICAL INFORMATION



STANDARDS & APPROVALS

BS EN 60529:1992+A2:2013: IPX5 Water Ingress



Call: 1800 120 3473 / +91 9540 666 666
/ +91 120 4223473

Visit our website: ceasefire.in

Email: response@ceasefire.in

Ceasefire Industries Pvt. Ltd.

Plot No. 4, Second Floor, Sector-135,
Noida - Greater Noida Expressway,
Noida - 201 301, Uttar Pradesh [India]