

# PRODUCT DATASHEET - INTELLIGENT ADDRESSABLE BASE SOUNDER VISUAL INDICATOR



## INTELLI-SENSE

Addressable Device

TI-002233

### DESCRIPTION

The TI-002233 is a fully intelligent and aesthetically pleasing low profile Base Sounder with combined 360° visual indicator. By utilising the fully digital communication protocol, reliable and fast operation is achieved even when employing the impressive 240 device loop capacity. Once installed on to a compatible loop the device is fully addressable and benefits from an extensive range of intelligent functionality, including sounder synchronisation. The unit's integral detector base has easy access for loop cabling and allows for the connection of both the sounder and associated detector via a single set of cable terminations.

### KEY FEATURES

- Employs fully digital communication protocol
- Built in loop isolators
- Offers full programming options
- Selection of 32 tones\*
- Synchronised sounder
- 360 degree visibility of VID when activated
- Adjustable volume output
- Auto-addressable via compatible panels
- Programmable via the Device Programming tool
- 1 year product warranty
- Includes device identification tab
- Easy central cable entry

\*Refer to tone table for full listings and approved tones.

### TECHNICAL SPECIFICATION

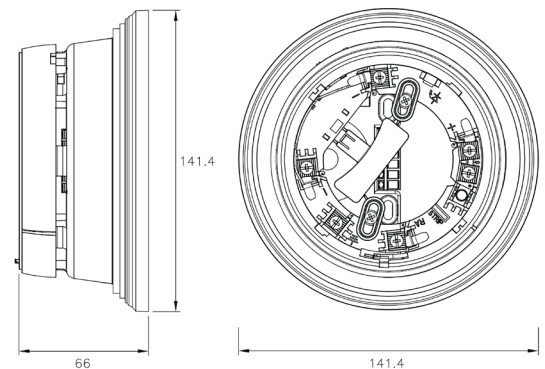
Loop voltage range	15Vdc – 32Vdc (typically 24Vdc)*
Standby Current	70µA @ 24Vdc
Current consumption (activated): (Dual Tone)(Beacon on)	5 - 8mA @ 24Vdc
Maximum Volume	94dBA @ 1 metre
Tone Range	440Hz - 2900Hz
Dimensions of device	141.4mm x 66MM
Weight	220g
Temperature Range (no icing)	-10°C to +55°C
Max tolerated humidity (non condensing)	95% RH
Max. number of loop addresses	240

\*Note: Min 18VDC for operation of LED.

### STANDARDS & APPROVALS

BS EN54-3: Sounders

### TECHNICAL INFORMATION



Call: **1800 120 3473 / +91 9540 666 666**  
**/ +91 120 4223473**

Visit our website: [ceasefire.in](http://ceasefire.in)

Email: [response@ceasefire.in](mailto:response@ceasefire.in)

**Ceasefire Industries Pvt. Ltd.**

Plot No. 4, Second Floor, Sector-135,  
Noida - Greater Noida Expressway,  
Noida - 201 301, Uttar Pradesh [India]

# PRODUCT DATASHEET - INTELLIGENT ADDRESSABLE BASE SOUNDER VISUAL INDICATOR



## INTELLI-SENSE

Addressable Device

### OUTPUT TONE SETTING

To program the sounder, its operating mode must be defined by programming a decimal number into it by the use of the programmer. One selected operating mode is programmable through an **operating mode number** written into the device through the handheld programming unit used before for the addressing step; the **Set Mod / Set Op** option of the programmer is used for this purpose: consult the programmer's documentation for further details.

The available tone set for this mode is given on page 3

Tone	Pattern	Frequency	Rate	Main Application
1	<b>Dual Tone*</b>	800 & 900	250ms - 250ms	ALTERNATIVE WARBLE
2	<b>Continuous Tone*</b>	1000	Steady	CONTINUOUS TONE
3	Pulsed Tone	970	500ms ON, 500ms OFF	ISO 8201 LF BS5839 Pt 1 1983

Important Note: Not all control panels may be able to activate all of table 1's listed tones. Check the control panel's documentation for more information.

\* Tones in BOLD are LPCB certified

### OUTPUT VOLUME SETTING

To program the sounder its operating mode must be defined by programming a decimal number into it by the use of the programmer.

Volume level can be programmed directly on the device through the **operating mode number**. The desired operating tone must be selected on the control panel.

Four different **operating mode numbers** for this mode can be programmed into the device.

Volume Level	Operating Mode No.
LOW	1
MEDIUM	65
<b>HIGH*</b>	<b>129 (FACTORY DEFAULT)</b>
EXTRA HIGH	193

\*The sounder leaves comes pre-programmed with operating mode number 129.



Call: 1800 120 3473 / +91 9540 666 666  
/ +91 120 4223473

Visit our website: [ceasefire.in](http://ceasefire.in)

Email: [response@ceasefire.in](mailto:response@ceasefire.in)

Ceasefire Industries Pvt. Ltd.

Plot No. 4, Second Floor, Sector-135,  
Noida - Greater Noida Expressway,  
Noida - 201 301, Uttar Pradesh [India]

# PRODUCT DATASHEET - INTELLIGENT ADDRESSABLE BASE SOUNDER VISUAL INDICATOR



## INTELLI-SENSE

Addressable Device

### TONE TABLE

Tone	Pattern	Frequency	Rate	Main Application
1	<b>DUAL TONE*</b>	<b>800 &amp; 900</b>	<b>250ms - 250ms</b>	<b>ALTERNATIVE WARBLE</b>
2	<b>CONTINUOUS TONE*</b>	<b>1000</b>	<b>STEADY</b>	<b>CONTINUOUS TONE</b>
3	PULSED TONE	970	500ms ON, 500ms OFF	ISO 8201 LF BS5839 Pt 1 1983
4	<b>SLOW WHOOP*</b>	<b>500-1200</b>	<b>3500MS SWEEP, 500MS</b>	<b>OFF DUTCH TONE</b>
5	<b>SWEEP (DIN) TONE*</b>	<b>1200-500</b>	<b>1s sweep (1Hz)</b>	<b>GERMAN DIN TONE</b>
6	SWEEP TONE	800-1000	500ms	LF SWEEP (CRANFORD SWEEP)
7	DUAL TONE	800 & 1000	500ms-500ms	WARBLE TONE
8	DUAL TONE	500 & 600	250ms-250ms	ALTERNATIVE WARBLE
9	PULSED TONE	2800	1s ON, 1s OFF	HF BACK UP INTERRUPTED TONE
10	PULSED TONE	800	150ms ON, 150ms OFF	LF BACK UP ALARM
11	PULSED TONE	2800	150ms ON, 150ms OFF	HF BACK UP INTERRUPTED TONE-FAST
12	CONTINUOUS TONE	800	Steady LF	CONTINUOUS TONE BS5839
13	SWEEP TONE (1Hz)	800-900	1s sweep	SWEEP TONE (1Hz)
14	SLOW WHOOP	500 - 1200	3750ms sweep, 250ms OFF	AUSTRALIAN SLOW WHOOP
15	SWEEP TONE	500-600	500ms sweep (2Hz)	ANALOGUE SWEEP TONE
16	SWEEP TONE (3Hz)	800-970	333ms sweep (3Hz)	SWEEP TONE (3Hz)
17	SLOW SWEEP	2350-2900	333ms sweep (3Hz)	ALTERNATIVE HF SLOW SWEEP
18	PULSED TONE	970	625ms ON, 625ms OFF	AUSTRALIAN ALERT (INTERMITTENT TONE)
19	TEMPORAL PATTERN	950	(500ms ON, 500ms OFF) x3, 1500ms OFF	US TEMPORAL PATTERN LF
20	PULSED TONE	800	500ms ON, 500ms OFF	INTERRUPTED TONE
21	PULSED TONE	1000	250ms ON, 250ms OFF	INTERRUPTED TONE MEDIUM
22	PULSED TONE	2850	500ms ON, 500ms OFF	ISO 8201 HF
23	LF BUZZ	800-950	9ms sweep (110Hz)	LF BUZZ
24	CONTINUOUS TONE	2800 Steady	HF CONTINUOUS	
25	SWEEP TONE (9Hz)	800-970	11ms sweep (9Hz)	SWEEP TONE (9Hz)
26	PULSED TONE	660	150ms ON, 150ms OFF	SWEDISH FIRE SIGNAL
27	DUAL TONE	554 & 440	100ms-400ms	FRENCH TONE AFNOR
28	CONTINUOUS TONE	660	Steady	SWEDISH ALL CLEAR SIGNAL
29	TEMPORAL PATTERN	2900	(500ms ON, 500ms OFF) x3, 1500ms OFF	US TEMPORAL PATTERN HF
30	2 WAY RAMP (SHORT)	500-1200	250ms sweep rising, 250ms sweep falling	SIREN 2 WAY RAMP (SHORT)
31	DUAL TONE	800 & 970	250ms-250ms	FP1063.1 - TELECOM

TI-002233\_TDS\_ VERSION (01)

Call: **1800 120 3473 / +91 9540 666 666**  
/ **+91 120 4223473**

Visit our website: [ceasefire.in](http://ceasefire.in)

Email: [response@ceasefire.in](mailto:response@ceasefire.in)

**Ceasefire Industries Pvt. Ltd.**

Plot No. 4, Second Floor, Sector-135,  
Noida - Greater Noida Expressway,  
Noida - 201 301, Uttar Pradesh (India)