

# PRODUCT DATASHEET - WIRELESS MULTI-CRITERIA DETECTOR



## WAVE-SENSE

Wireless Device

TI-002278

### DESCRIPTION

The TI-002278 is the latest in wireless multi-criteria detector technology. It is a fully intelligent device and compatible with all Wave-Sense wireless Translator and Expander modules. The detector is designed for open area protection and combines both dual-path smoke and heat detection technologies for improved performance, whilst maintaining the high levels of unwanted alarm rejection. Utilising well-proven adaptive radio signal processing algorithms ensure the highest levels of life safety and system reliability are achieved. An in-built magnet test allows easy activation to verify correct functionality and response.

\*For BASE COMPATIBILITY see page 3

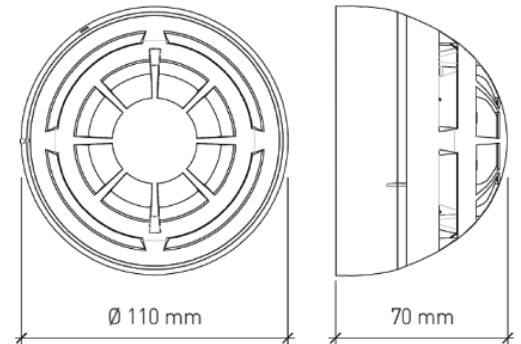
### KEY FEATURES

- Advanced dual-path optical chamber design
- Internal algorithm processing optimises performance
- Designed and tested as per EN 54-5, EN 54-7 & EN 54-25, certified by IMQ
- 5 Year battery life (in ideal operating condition)
- Utilises standard low cost lithium battery technology
- Multiple smoke and heat sensitivity settings
- Bi-directional wireless communications
- Compatible with all Wave-Sense translators & Expanders
- Complies with the latest multi-sensor standard EN 54-29
- 1 year product warranty
- Device identification tab
- Twin alarm LEDs for 360° visibility

### TECHNICAL SPECIFICATION

Operating frequency range	865 MHz
Max. radiated power	14dBm (25mW)
Operating channels	Multiple
Choice of sensitivity settings	3 smoke/2 heat
Dimensions	110mm x 70mm
Batteries	2 x CR123A
Weight	190 g
Temperature Range (no icing)	-10°C to +55°C **
Max tolerated humidity (non condensing)	95% RH
IP Rating	40
Magnet test	Yes

### TECHNICAL INFORMATION



### STANDARDS & APPROVALS

BS EN 54-5 Class P:	Heat Detectors
BS EN 54-7	Smoke Detectors
BS EN54-25:	Components using radio links
BS EN54-29:	Multi-sensor fire detectors
CEA4021	

\*\*Performance may vary at extremes of range



Call: 1800 120 3473 / +91 9540 666 666 / +91 120 4223473

Visit our website: [ceasefire.in](http://ceasefire.in)

Email: [response@ceasefire.in](mailto:response@ceasefire.in)

Ceasefire Industries Pvt. Ltd.

Plot No. 4, Second Floor, Sector-135,  
Noida - Greater Noida Expressway,  
Noida - 201 301, Uttar Pradesh (India)