

# PRODUCT DATASHEET - INTELLIGENT MULTI-CRITERIA DETECTOR



## INTELLI-SENSE

Addressable Device

TI-002214

### DESCRIPTION

The TI-002214 Intelligent Multi-Criteria Detector is a point detection device that continuously samples both the air and the temperature variation in the protected area to provide the earliest warning of a fire condition. Special algorithms utilise information from both the smoke and heat sensing elements to ensure high level of false alarm rejection without compromising genuine alarm sensing performance. This detector forms part of the Intelli-Sense range of aesthetically pleasing low profile detection and alarm products and is fully compatible\* with Intelli-Sense Fire Alarm Control Panels utilising the fully digital communication protocol.

\*For BASE COMPATIBILITY see page 2

### KEY FEATURES

- Nine modes of operation
- Utilises fully digital protocol with high noise rejection
- Dual alarm LEDs providing 360deg cone of visibility
- Dust Restrict Chamber (DRC) technology offering good immunity to airborne contaminants
- Open style mounting base offers easy wiring and low pressure locking
- Programmable using the Device Programming Tool
- 1 year product warranty

### TECHNICAL SPECIFICATION

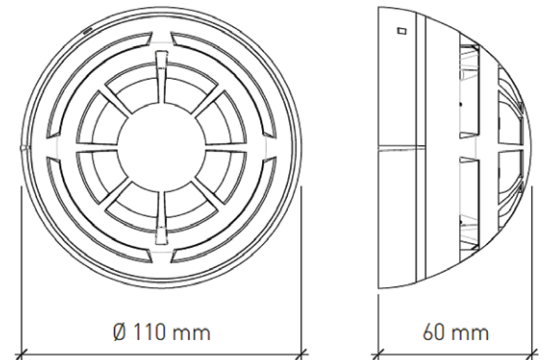
Loop voltage	15Vdc – 40Vdc *
Average standby current	85µA @ 24Vdc
Remote Output Max Current	20mA
Dimensions (inc. base)	110mm x 60mm
Temperature Range (no icing)	-10°C to +55°C **
Max tolerated humidity (non condensing)	95% RH
Max number of loop addresses	240
Weight (standard base included)	130 g

### STANDARDS & APPROVALS

BS EN 54-5:	Smoke Detectors - Point Detectors A1R
BS EN 54-7:	Smoke Detectors - Point Detectors using scattered light, transmitted light or ionisation
CEA 4021:	Multisensor Detectors

\*Minimum 18V with LED operation \*\*Performance may vary at extremes of range

### TECHNICAL INFORMATION



Call: 1800 120 3473 / +91 9540 666 666  
/ +91 120 4223473

Visit our website: [ceasefire.in](http://ceasefire.in)

Email: [response@ceasefire.in](mailto:response@ceasefire.in)

Ceasefire Industries Pvt. Ltd.

Plot No. 4, Second Floor, Sector-135,  
Noida - Greater Noida Expressway,  
Noida - 201 301, Uttar Pradesh [India]

# PRODUCT DATASHEET - INTELLIGENT MULTI-CRITERIA DETECTOR



## INTELLI-SENSE

Addressable Device

### LED INDICATORS

The detector is equipped with two LEDs mounted to give 360 degree visibility. These indicators display device status and condition\*:

NOTE: The LED indicators are managed directly by the fire control panel and the Red (blinking) can be disabled by the installer at the fire control panel or via the hand-held programming unit.

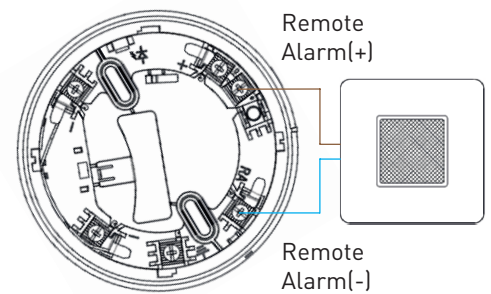
\* All functionality may not be available on all control equipment

- **Red: (blinking)** Normal operational status
- **Amber:** Detector in an alarm condition

### REMOTE OUTPUT CAPABILITY

A remote output capability is available as a standard feature on this device. This allows the connection of a Remote Indicator Module or a compatible Platform Sounder (check power requirements) to be connected to the detector base terminals and controlled from the fire alarm control panel.

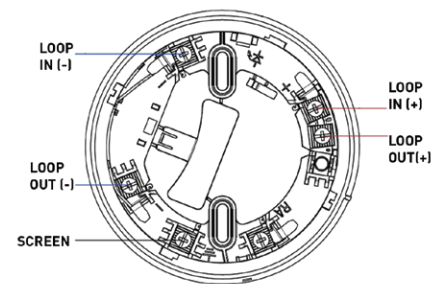
NOTE: If other equipment is connected to the remote output, its supply current must be limited by using an adequate resistor. Consult the TECHNICAL SPECIFICATIONS on page 1 and assess the external device current absorption value. Ensure correct cable polarity.



### INSTALLATION - WIRING

The detector must be mounted on a compatible detector base and all analogue loop wiring must be correctly terminated as shown:

- Connections to the detector base terminals are polarity sensitive.
- Care should be taken to ensure correct cable polarity



### BASE COMPATIBILITY

This device is compatible with the following Intelli-Sense bases and base sounders:

- TI-002231 Intelligent Base
- TI-002232 Intelligent Addressable Base Sounder
- TI-002233 Intelligent Addressable Base Sounder VID



Call: **1800 120 3473 / +91 9540 666 666**  
**/ +91 120 4223473**

Visit our website: [ceasefire.in](http://ceasefire.in)

Email: [response@ceasefire.in](mailto:response@ceasefire.in)

**Ceasefire Industries Pvt. Ltd.**

Plot No. 4, Second Floor, Sector-135,  
Noida - Greater Noida Expressway,  
Noida - 201 301, Uttar Pradesh [India]